

Scaled data based on original data using
LM-79-08 Approved Method: Electrical and Photometric Measurements of Solid-State
Lighting Products

Test Report Prepared for
Cooper Lighting Solutions
(formerly Eaton)

Brand: STREETWORKS

Report Number: P571711

Luminaire Tested: **UFLD-S-CA1-50-740-U-66-TS2LW_NFFLD**

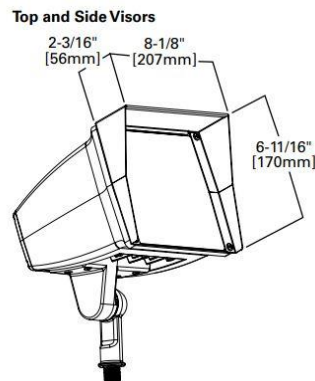
Issue Date: 9/21/2021

Test Information

Test Method: LM-79-08
Report Number: P571711
TEST IS SCALED FROM IESNA LM-79-08 TEST DATA (G2-2109-378-6)
Test Lab: COOPER LIGHTING SOLUTIONS
Issue Date: 9/21/2021
Manufacturer: COOPER LIGHTING SOLUTIONS (FORMERLY EATON)
Product Line: STREETWORKS
Catalog Number: UFLD-S-CA1-50-740-U-66-TS2LW_NFFLD
Description: FLOOD LIGHT SMALL, 6x6 OPTIC WITH TOP AND SIDE VISOR
Light Source: (1) 4000K CCT, 70 CRI LEDS
Ballast/Driver: -

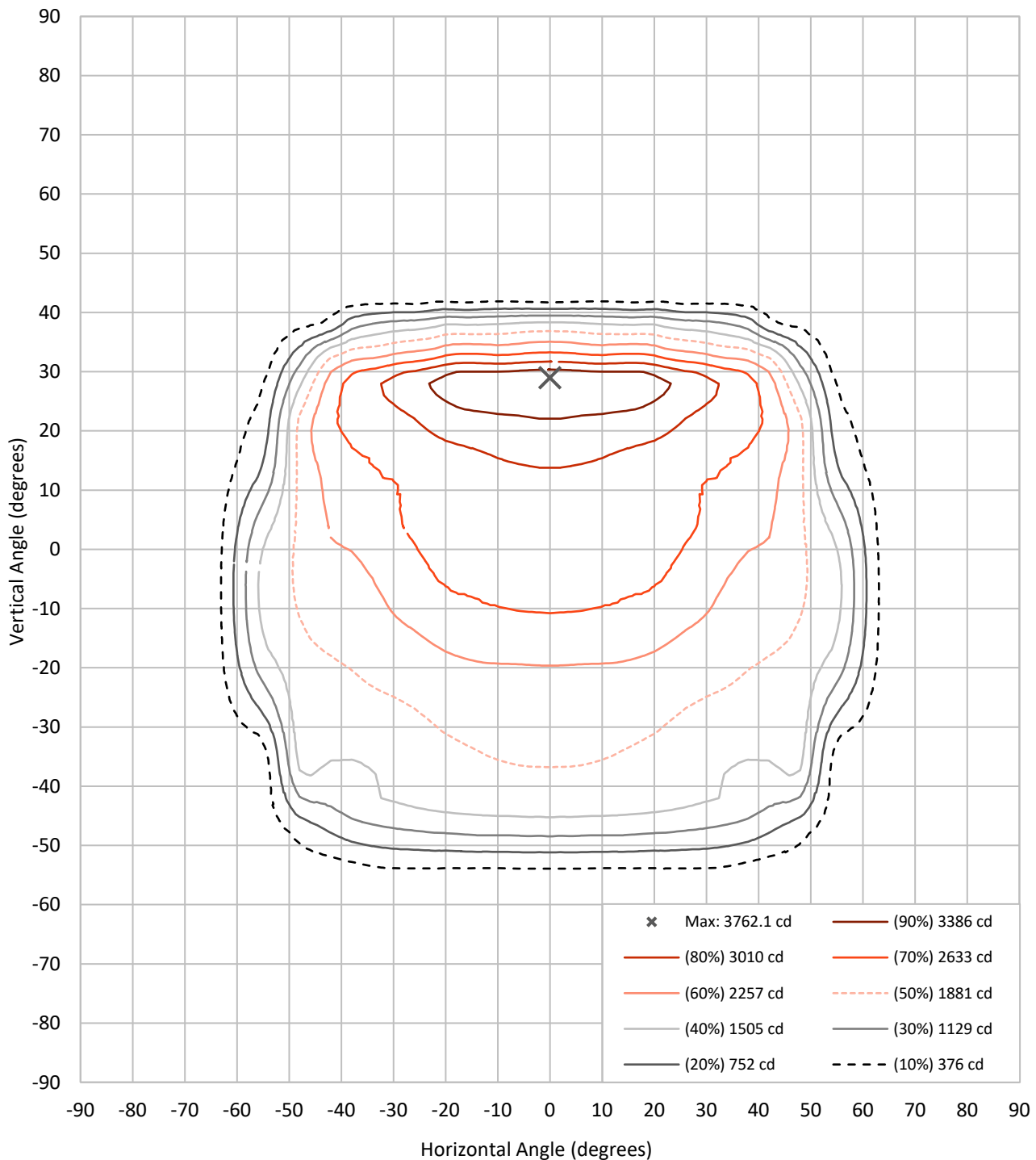
Summary

Lumens per Lamp:	N/A	NEMA Type:	6H x 5V
Luminaire Lumens:	5865 lumens	Max Intensity:	3762.1 candela
Efficiency:	N/A	Max Intensity Angle:	0°H x 29°V
Efficacy:	118.2 lumens/watt		
Luminous Opening:	Rectangular (W 0.67' x L: 0.5' x H: 0')		
Beam Angle (50%):	90.2°H x 73.7°V	Field Angle (10%):	108.6°H x 95.6°V
Beam Lumens:	4238 lumens	Field Lumens:	5706.6 lumens
Beam Efficiency:	72.3%	Field Efficiency:	97.3%
Input Watts (W):	49.6		
Input Voltage (V):	120		
Input Current (Ain):	NR		
Voltage Rise (V):	NR		
Power Factor:	NR		
Total Harmonic Distortion (THDi):	NR		
Frequency (hertz):	60		
Stabilization Time:	NR		
Operation Time:	NR		
Ambient Temperature (°C):	NR		
Test Distance:	25 FT		



REPORT NUMBER: P571711
CATALOG NUMBER: UFLD-S-CA1-50-740-U-66-TS2LW_NFFLD

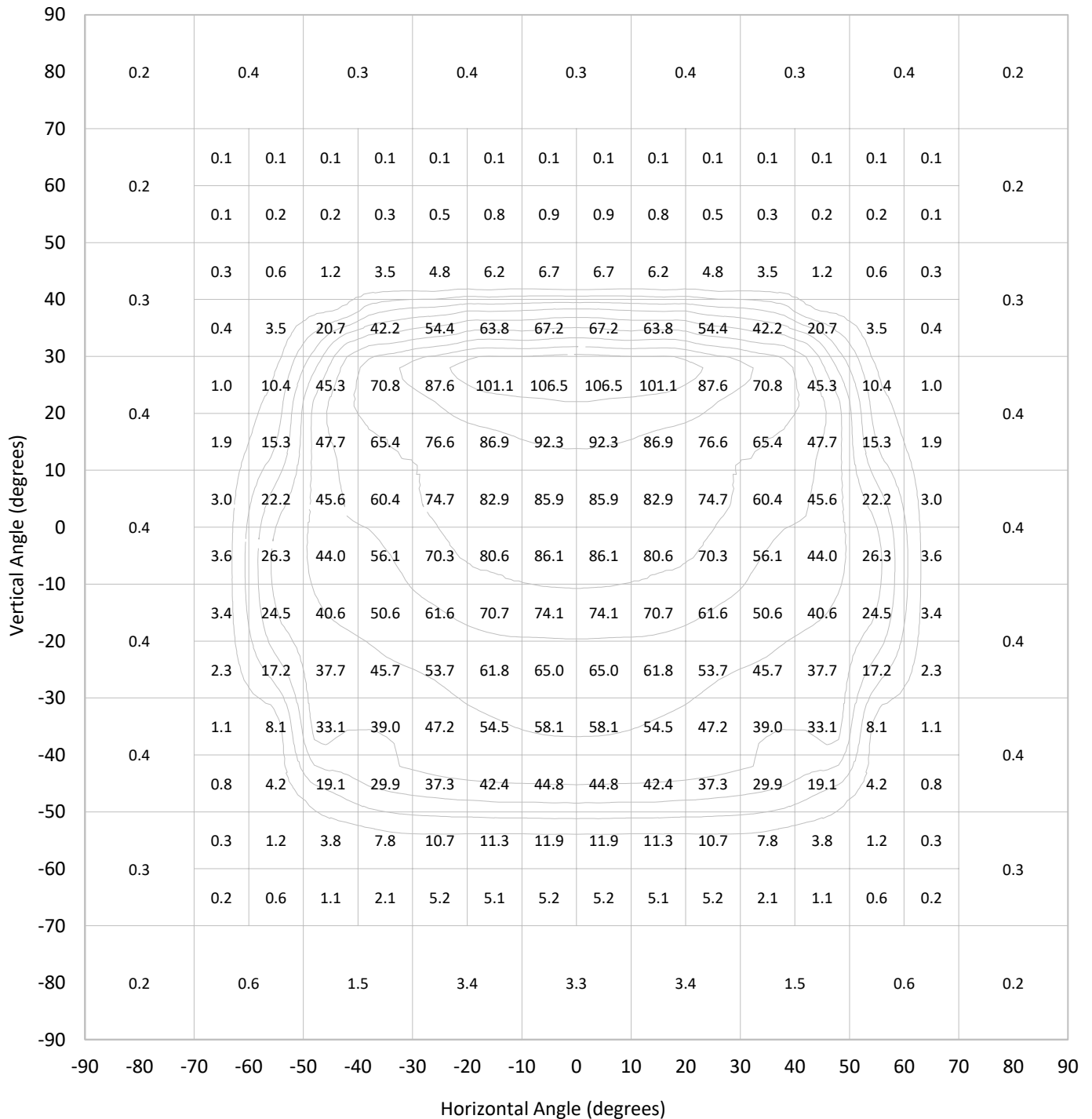
Iso-Candela Plot





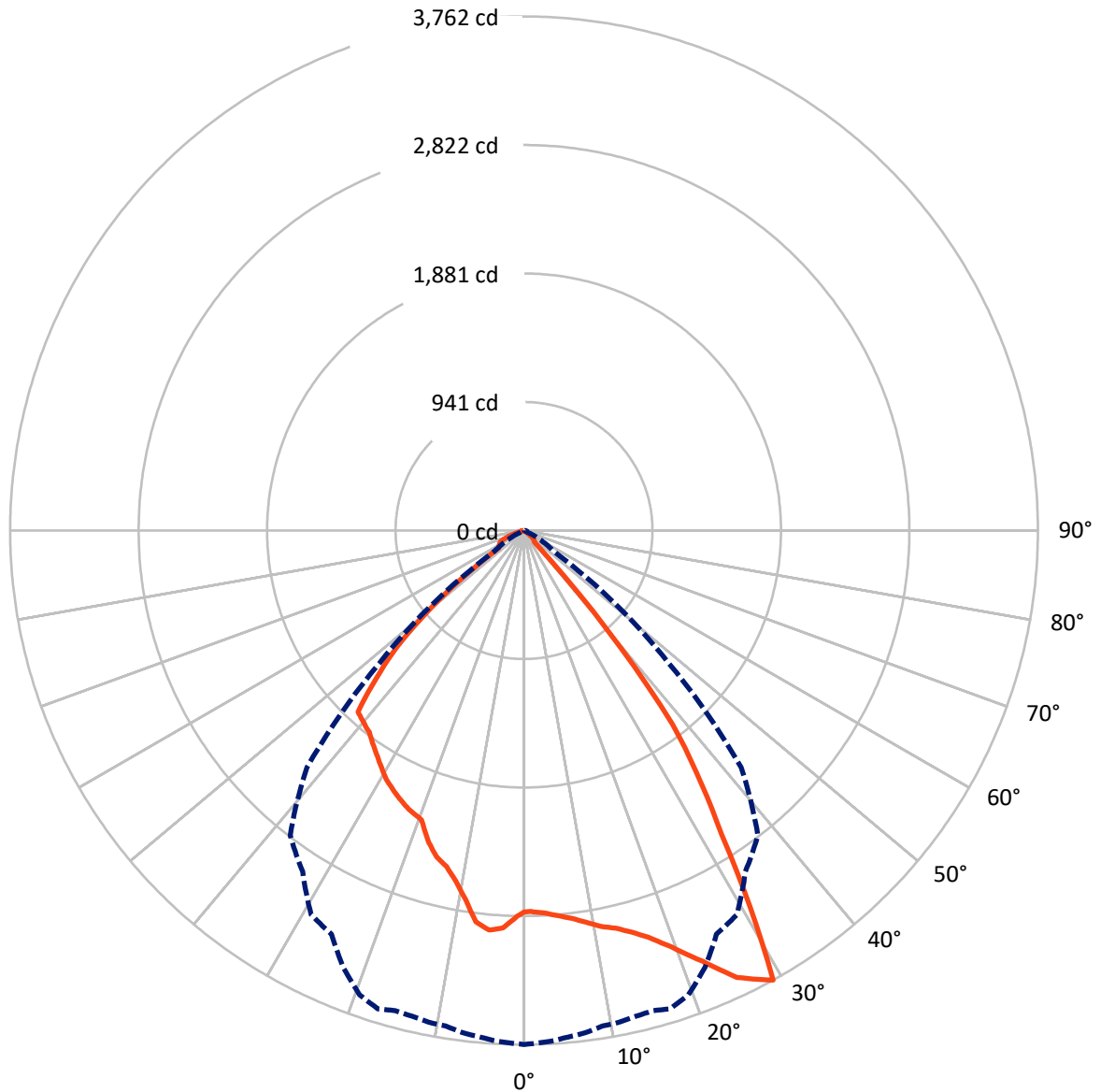
REPORT NUMBER: P571711
 CATALOG NUMBER: UFLD-S-CA1-50-740-U-66-TS2LW_NFFLD

Lumen Table



REPORT NUMBER: P571711
CATALOG NUMBER: UFLD-S-CA1-50-740-U-66-TS2LW_NFFLD

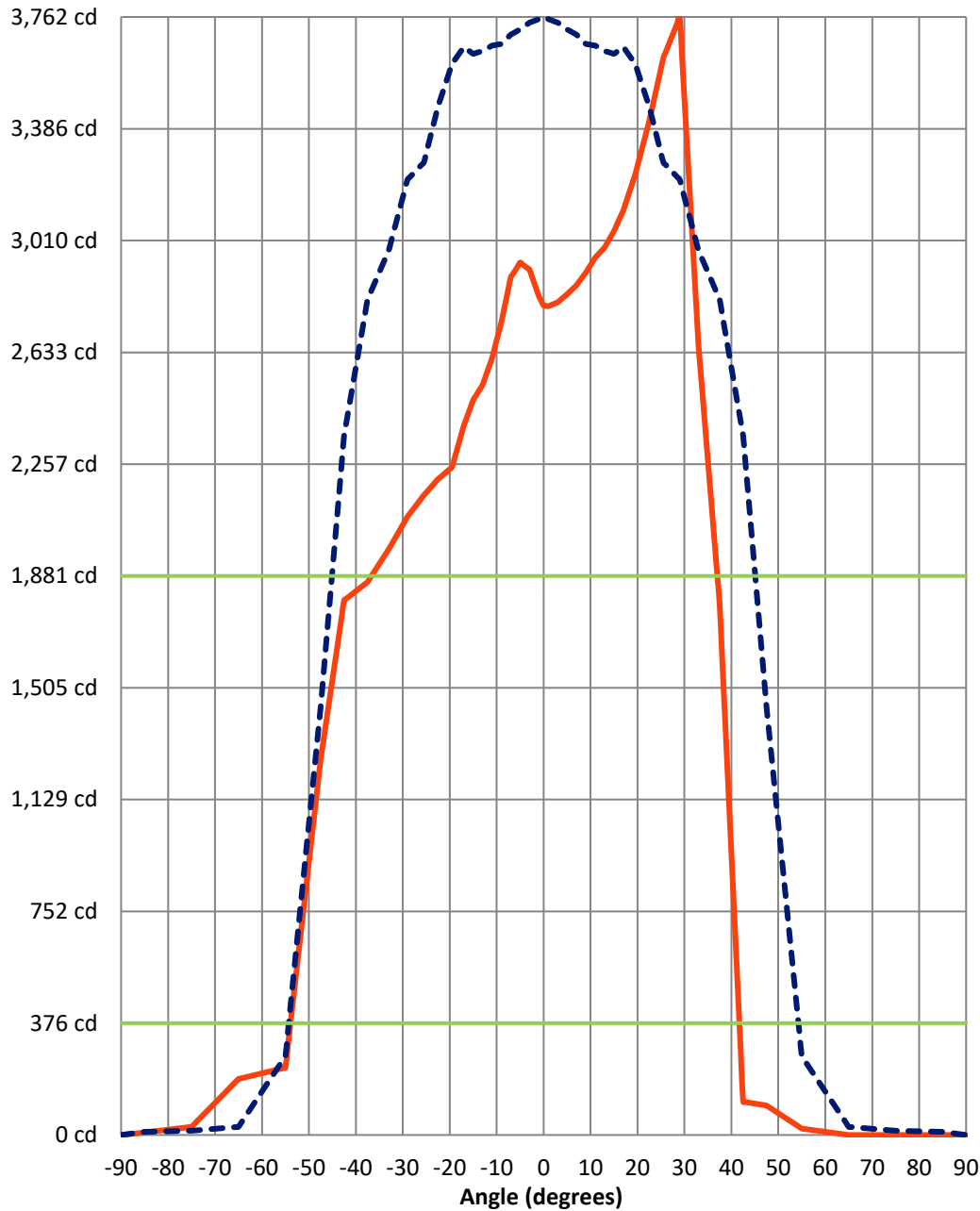
Luminous Intensity Polar Plot



— Vertical Distribution Through 0-Deg - - - Horizontal Distribution Through 29-Deg

REPORT NUMBER: P571711
 CATALOG NUMBER: UFLD-S-CA1-50-740-U-66-TS2LW_NFFLD

Luminous Intensity Plot



Beam:
 H Angle: 90.2°
 V Angle: 73.7°
 Lumens: 4238
 Efficiency: 72.3%

Field:
 H Angle: 108.6°
 V Angle: 95.6°
 Lumens: 5706.6
 Efficiency: 97.3%

Spill:
 Lumens: 158.4
 Efficiency: 2.7%

- Vertical Distribution through 0-Deg
- - - Horizontal Distribution through 29-Deg



REPORT NUMBER: P571711
 CATALOG NUMBER: UFLD-S-CA1-50-740-U-66-TS2LW_NFFLD

FIELD
 BEAM

CANDELA DISTRIBUTION:

	0°	1°	3°	5°	7°	9°	11°	13°	15°	17°	19.5°
90°	0.0	0.0	0.0	0.0	0.0	0.0	0.0	0.0	0.0	0.0	0.0
85°	0.0	1.2	3.6	3.6	3.6	3.6	4.8	4.8	4.8	4.8	4.8
75°	0.0	1.2	1.2	2.4	3.6	3.6	3.6	3.6	3.6	3.6	2.4
65°	0.0	0.0	1.2	1.2	2.4	2.4	2.4	2.4	2.4	2.4	2.4
55°	21.5	21.5	21.5	21.5	21.5	21.5	22.7	21.5	20.3	20.3	20.3
47.5°	99.0	99.0	99.0	94.2	90.7	89.5	87.1	82.3	79.9	82.3	79.9
42.5°	112.1	114.5	131.2	156.3	177.7	194.4	194.4	178.9	140.8	116.9	188.5
37.5°	1785.6	1770.1	1792.8	1747.5	1717.6	1673.5	1660.4	1642.5	1625.8	1644.9	1669.9
33°	2656.4	2627.8	2657.6	2595.6	2575.3	2533.5	2557.4	2608.7	2620.6	2627.8	2572.9
29°	3762.1	3755.0	3743.0	3720.4	3702.5	3671.5	3665.5	3647.6	3638.1	3660.7	3604.7
25.5°	3623.8	3627.3	3611.8	3596.3	3577.2	3583.2	3567.7	3552.2	3535.5	3500.9	3431.7
22.5°	3411.4	3419.8	3404.3	3381.6	3367.3	3363.7	3348.2	3330.3	3314.8	3302.9	3256.4
19.5°	3231.3	3234.9	3228.9	3217.0	3206.3	3193.2	3169.3	3143.1	3119.2	3113.2	3091.8
17°	3112.0	3115.6	3110.9	3101.3	3090.6	3071.5	3048.8	3019.0	2995.1	2976.1	2943.9
15°	3041.7	3044.1	3040.5	3030.9	3017.8	3003.5	2985.6	2961.8	2935.5	2906.9	2867.5
13°	2986.8	2989.2	2985.6	2974.9	2962.9	2948.6	2933.1	2912.8	2890.2	2865.1	2831.7
11°	2952.2	2953.4	2947.4	2939.1	2926.0	2911.7	2895.0	2872.3	2855.6	2841.3	2822.2
9°	2902.1	2903.3	2900.9	2893.8	2887.8	2873.5	2860.4	2842.5	2829.3	2824.6	2818.6
7°	2859.2	2860.4	2860.4	2852.0	2846.0	2836.5	2825.8	2811.5	2804.3	2807.9	2813.8
5°	2829.3	2831.7	2830.5	2823.4	2818.6	2812.6	2806.7	2797.1	2788.8	2801.9	2818.6
3°	2801.9	2801.9	2804.3	2800.7	2799.5	2800.7	2801.9	2798.3	2795.9	2813.8	2836.5
1°	2788.8	2788.8	2793.6	2794.8	2798.3	2805.5	2819.8	2829.3	2831.7	2825.8	2905.7
0°	2791.2	2791.2	2798.3	2807.9	2818.6	2834.1	2846.0	2852.0	2846.0	2824.6	3052.4
-1°	2822.2	2818.6	2823.4	2840.1	2852.0	2866.3	2869.9	2865.1	2848.4	2817.4	2856.8
-3°	2911.7	2914.0	2912.8	2915.2	2915.2	2911.7	2892.6	2858.0	2821.0	2779.3	2745.9
-5°	2935.5	2942.7	2935.5	2927.2	2920.0	2889.0	2853.2	2803.1	2736.3	2696.9	2663.5
-7°	2885.4	2874.7	2868.7	2850.8	2827.0	2779.3	2733.9	2682.6	2645.7	2634.9	2626.6
-9°	2735.1	2726.8	2723.2	2714.8	2699.3	2665.9	2646.8	2626.6	2613.4	2613.4	2603.9
-11°	2613.4	2608.7	2606.3	2597.9	2595.6	2580.1	2577.7	2570.5	2559.8	2559.8	2543.1
-13°	2524.0	2524.0	2524.0	2520.4	2512.1	2506.1	2504.9	2498.9	2485.8	2481.0	2456.0
-15°	2472.7	2473.9	2469.1	2464.3	2453.6	2446.5	2439.3	2429.8	2413.1	2399.9	2367.7
-17°	2386.8	2380.9	2385.6	2376.1	2376.1	2368.9	2366.5	2361.8	2345.1	2326.0	2286.6
-19.5°	2247.3	2248.4	2246.1	2238.9	2235.3	2234.1	2232.9	2225.8	2207.9	2187.6	2156.6
-22.5°	2206.7	2205.5	2201.9	2197.2	2193.6	2190.0	2191.2	2187.6	2170.9	2150.6	2119.6
-25.5°	2153.0	2151.8	2148.3	2142.3	2135.1	2128.0	2130.4	2125.6	2112.5	2095.8	2069.5
-29°	2080.3	2076.7	2073.1	2068.3	2056.4	2038.5	2025.4	2014.7	2000.3	1987.2	1957.4
-33°	1970.5	1969.3	1969.3	1964.6	1953.8	1939.5	1924.0	1908.5	1888.2	1867.9	1833.4
-37.5°	1860.8	1860.8	1860.8	1858.4	1853.6	1846.5	1838.1	1823.8	1803.5	1779.7	1747.5
-42.5°	1798.8	1797.6	1798.8	1792.8	1785.6	1776.1	1768.9	1755.8	1740.3	1728.4	1709.3
-47.5°	1262.0	1242.9	1253.6	1256.0	1233.4	1239.3	1236.9	1238.1	1229.8	1207.1	1186.8
-55°	226.6	226.6	229.0	232.6	230.2	224.2	217.1	217.1	225.4	229.0	224.2
-65°	188.5	188.5	188.5	187.3	187.3	186.1	186.1	186.1	186.1	186.1	192.0
-75°	27.4	26.2	27.4	27.4	25.0	26.2	29.8	29.8	29.8	29.8	29.8
-85°	8.3	8.3	8.3	11.9	13.1	14.3	14.3	15.5	15.5	14.3	14.3
-90°	0.0	0.0	0.0	0.0	0.0	0.0	0.0	0.0	0.0	0.0	0.0



REPORT NUMBER: P571711

CATALOG NUMBER: UFLD-S-CA1-50-740-U-66-TS2LW_NFFLD

CANDELA DISTRIBUTION (continued):

	22.5°	25.5°	29°	33°	37.5°	42.5°	47.5°	55°	65°	75°	85°
90°	0.0	0.0	0.0	0.0	0.0	0.0	0.0	0.0	0.0	0.0	0.0
85°	4.8	4.8	4.8	3.6	3.6	4.8	4.8	6.0	8.3	9.5	9.5
75°	2.4	2.4	2.4	2.4	3.6	4.8	4.8	6.0	8.3	9.5	10.7
65°	2.4	2.4	2.4	2.4	2.4	3.6	4.8	7.2	8.3	9.5	10.7
55°	17.9	13.1	9.5	10.7	13.1	9.5	7.2	8.3	9.5	10.7	10.7
47.5°	64.4	39.4	25.0	22.7	25.0	19.1	15.5	15.5	20.3	10.7	10.7
42.5°	182.5	69.2	126.4	138.4	119.3	38.2	53.7	41.7	23.9	11.9	10.7
37.5°	1525.6	1451.7	1412.3	1306.1	1118.9	467.6	342.3	57.3	25.0	11.9	10.7
33°	2401.1	2340.3	2264.0	2110.1	2091.0	1776.1	968.6	118.1	25.0	13.1	10.7
29°	3460.3	3273.1	3214.6	2976.1	2811.5	2353.4	1438.5	264.8	27.4	14.3	10.7
25.5°	3336.3	3221.8	3094.2	2964.1	2827.0	2485.8	1761.8	385.3	31.0	14.3	10.7
22.5°	3156.2	3041.7	2933.1	2837.7	2759.0	2570.5	2015.9	478.3	35.8	14.3	10.7
19.5°	3011.8	2911.7	2812.6	2720.8	2683.8	2576.5	2100.5	552.3	42.9	14.3	10.7
17°	2871.1	2792.4	2720.8	2657.6	2644.5	2503.7	2088.6	616.7	54.9	15.5	10.7
15°	2793.6	2717.2	2665.9	2640.9	2614.6	2413.1	2073.1	679.9	62.0	15.5	10.7
13°	2753.0	2675.5	2639.7	2648.0	2564.5	2351.0	2051.6	780.1	69.2	15.5	10.7
11°	2748.2	2662.4	2638.5	2613.4	2504.9	2329.6	2036.1	901.8	72.8	15.5	10.7
9°	2762.6	2686.2	2636.1	2546.7	2453.6	2322.4	2025.4	1042.5	74.0	16.7	11.9
7°	2774.5	2701.7	2633.7	2487.0	2401.1	2303.3	2007.5	1172.5	71.6	16.7	11.9
5°	2792.4	2713.6	2627.8	2440.5	2358.2	2281.8	1992.0	1303.7	68.0	16.7	11.9
3°	2788.8	2689.8	2605.1	2396.4	2322.4	2265.1	1980.1	1418.3	66.8	16.7	11.9
1°	2761.4	2648.0	2553.8	2363.0	2285.4	2240.1	1974.1	1514.9	66.8	17.9	11.9
0°	2745.9	2624.2	2522.8	2347.5	2266.3	2228.2	1971.7	1557.8	65.6	17.9	11.9
-1°	2719.6	2593.2	2503.7	2333.1	2249.6	2211.5	1966.9	1590.0	65.6	17.9	11.9
-3°	2655.2	2543.1	2470.3	2302.1	2221.0	2184.0	1963.4	1633.0	66.8	17.9	11.9
-5°	2607.5	2521.6	2442.9	2274.7	2199.5	2155.4	1953.8	1654.4	68.0	17.9	11.9
-7°	2587.2	2500.1	2411.9	2238.9	2166.1	2119.6	1943.1	1658.0	68.0	17.9	11.9
-9°	2557.4	2463.2	2364.2	2193.6	2124.4	2075.5	1932.4	1647.3	69.2	19.1	11.9
-11°	2488.2	2388.0	2290.2	2145.9	2077.9	2020.6	1906.1	1628.2	69.2	19.1	11.9
-13°	2396.4	2299.7	2210.3	2092.2	2031.4	1974.1	1881.1	1590.0	69.2	19.1	11.9
-15°	2302.1	2210.3	2135.1	2045.7	1992.0	1933.5	1858.4	1531.6	69.2	19.1	11.9
-17°	2212.7	2122.0	2060.0	1998.0	1951.4	1894.2	1832.2	1455.2	70.4	19.1	11.9
-19.5°	2093.4	2021.8	1977.7	1940.7	1899.0	1846.5	1804.7	1335.9	69.2	17.9	11.9
-22.5°	2049.2	1980.1	1940.7	1903.7	1858.4	1805.9	1785.6	1142.7	65.6	17.9	11.9
-25.5°	1993.2	1921.6	1877.5	1846.5	1821.4	1771.3	1782.1	912.5	63.2	17.9	11.9
-29°	1889.4	1831.0	1786.8	1753.4	1732.0	1722.4	1790.4	613.1	65.6	16.7	11.9
-33°	1780.9	1727.2	1671.1	1619.8	1586.4	1607.9	1767.7	240.9	68.0	16.7	11.9
-37.5°	1704.5	1653.2	1590.0	1512.5	1439.7	1436.1	1616.3	124.1	70.4	16.7	11.9
-42.5°	1660.4	1622.2	1559.0	1493.4	1394.4	1192.8	1129.6	153.9	68.0	15.5	11.9
-47.5°	1174.9	1142.7	1111.7	1060.4	980.5	767.0	514.1	102.6	53.7	13.1	10.7
-55°	242.1	239.8	248.1	236.2	141.9	76.3	105.0	45.3	16.7	13.1	10.7
-65°	211.1	232.6	175.3	95.4	32.2	40.6	58.4	34.6	13.1	11.9	10.7
-75°	28.6	27.4	20.3	20.3	22.7	21.5	15.5	10.7	10.7	10.7	10.7
-85°	13.1	11.9	11.9	10.7	10.7	9.5	9.5	8.3	9.5	10.7	10.7
-90°	0.0	0.0	0.0	0.0	0.0	0.0	0.0	0.0	0.0	0.0	0.0



REPORT NUMBER: P571711
CATALOG NUMBER: UFLD-S-CA1-50-740-U-66-TS2LW_NFFLD

CANDELA DISTRIBUTION (continued):

	90°
90°	0.0
85°	0.0
75°	0.0
65°	0.0
55°	0.0
47.5°	0.0
42.5°	0.0
37.5°	0.0
33°	0.0
29°	0.0
25.5°	0.0
22.5°	0.0
19.5°	0.0
17°	0.0
15°	0.0
13°	0.0
11°	0.0
9°	0.0
7°	0.0
5°	0.0
3°	0.0
1°	0.0
0°	0.0
-1°	0.0
-3°	0.0
-5°	0.0
-7°	0.0
-9°	0.0
-11°	0.0
-13°	0.0
-15°	0.0
-17°	0.0
-19.5°	0.0
-22.5°	0.0
-25.5°	0.0
-29°	0.0
-33°	0.0
-37.5°	0.0
-42.5°	0.0
-47.5°	0.0
-55°	0.0
-65°	0.0
-75°	0.0
-85°	0.0
-90°	0.0

(END OF REPORT)